

Agilent Technologies

Rack Mount Kit

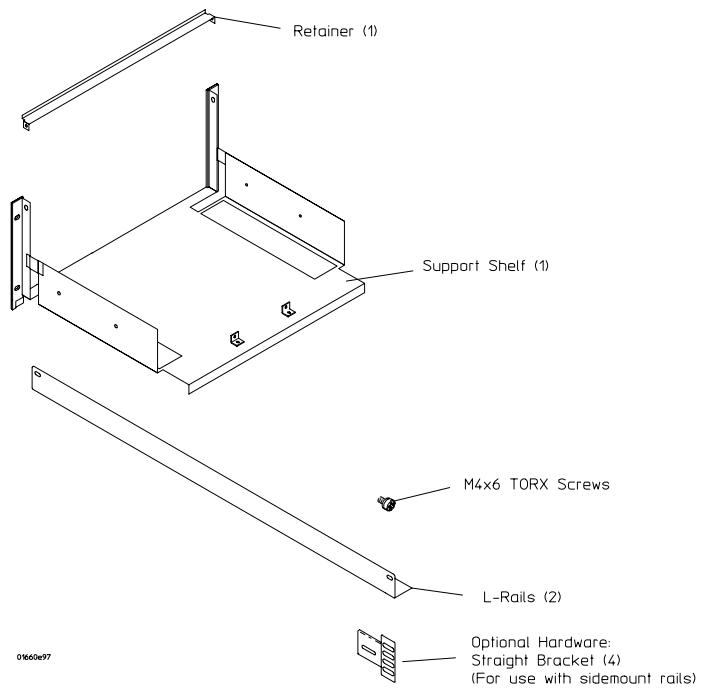
Agilent Kit Part Number 5062-7379

Installation Guide

The rack mount kit provides a support shelf and hardware for mounting Agilent Technologies 1660-series analyzers and Agilent Technologies 54520, 54522, 54540, and 54542 oscilloscopes into Electronics Industries Association (EIA) standard 487-mm (19-inch) rack cabinets.

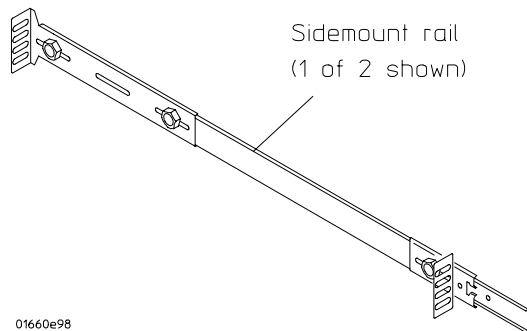
Two slide-mounting brackets are supplied with this kit. Use these brackets when installing the instrument in Agilent Technologies Rack Cabinet models 29450A through 29453A and E3660A through E3662A. When installed, the instrument occupies 5 vertical increments (8.375 in./ 221.5 mm).

To install the rack mount kit you will need a T10 and T20 TORX key (supplied with the kit), a #2 POZIDRIV, and a slip-joint pliers. The rack mount kit includes the following parts:



Optional Slide Mount Kit

The optional slide mount kit, Agilent part number 1494-0015, includes two slide mount rails.



Installation

Installation of the rack mount kit consists of two parts: attaching the instrument to the support shelf; and installing the support shelf into the cabinet, with or without the optional slide mount kit.

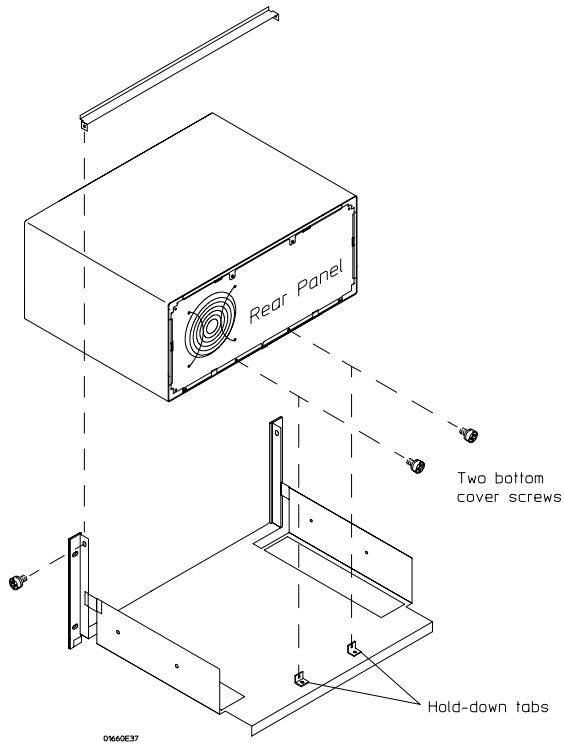
Attach Instrument to the Support Shelf

- 1** Remove the feet from the bottom of the instrument by disengaging the tabs. The instructions for removing feet are molded into the feet.

If your instrument has an accessory pouch, remove it from the top cover.

- 2** Using a T10 TORX key, remove the two bottom cover screws from the rear of the instrument as shown below.

Installation



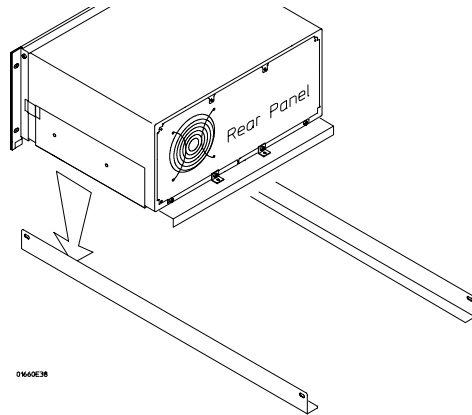
- 3** Place the instrument onto the support shelf and reinstall the cover screws that you removed in step 2, through the hold-down tabs and back into the instrument.

The hold-down tabs are installed at the factory. Loosen and realign if necessary for a flush fit against the instrument. Also, be sure to route the cables directly out from the rear.

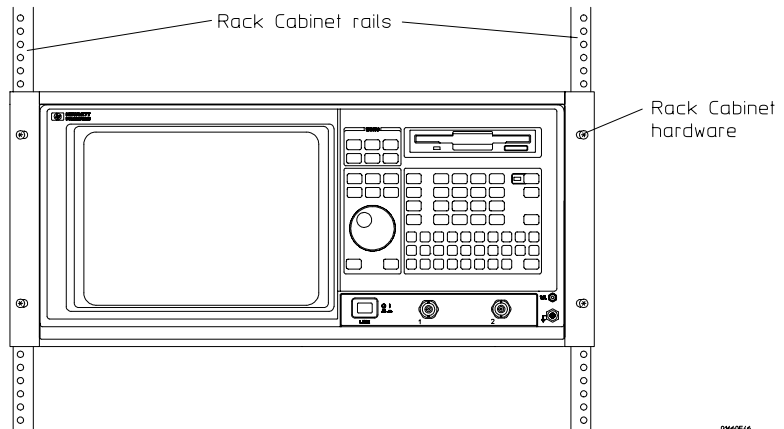
- 4** Install the retainer over the front of the instrument with the end tabs pointing down. Use two M4 x 6 screws and the T20 TORX key to attach the retainer at each end to the support shelf.

To Install the Support Shelf Without the Optional Slide Mount Kit

- 1 Attach the L-rails, with the side flanges down and the U-channel facing inward, to the rack cabinet using the rack cabinet hardware.
- 2 Set the support shelf, with the instrument attached, on the L-rails.



- 3 Fasten the support shelf to the rack cabinet by installing the rack cabinet screws through the front support shelf ears into the cabinet rails. Use the rack cabinet hardware.

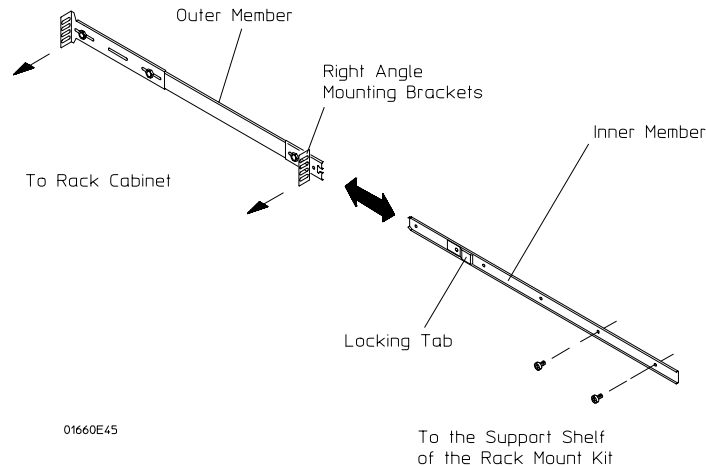


To Install the Support Shelf with the Optional Slide Mount Kit

To slide-mount the support shelf, you will need the optional Slide Mount Kit, Agilent part number 1494-0015.

1 Remove the inner slide member from the outer slide member.

The inner slide member slides out of the outer slide member. Press the locking tab on the inner slide member to disengage it from the outer slide member.

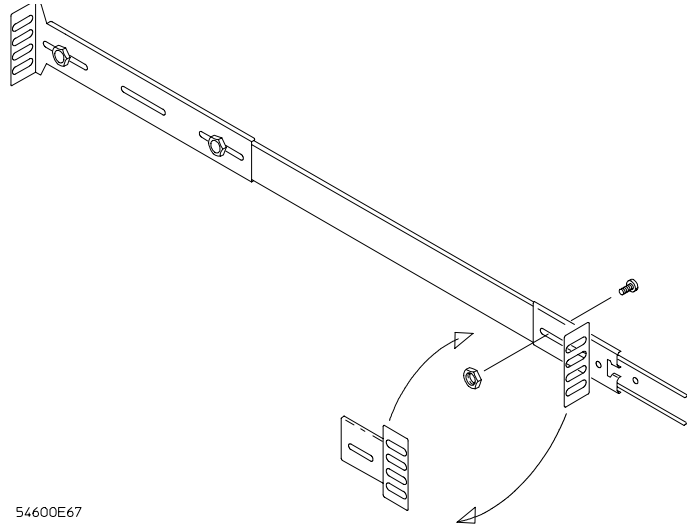


2 Check the model number of your cabinet.

- Rack cabinet models Agilent Technologies 29402C through 29409C have extruded aluminum support columns and use spring-loaded channels nuts. If you have one of these cabinets, continue with step 3 at this time.
- Rack cabinet models Agilent Technologies 29450A through 29453A, and C2785A through C2787A, have folded steel support columns, and use G-shaped, clip-on #10-32 sheet metal nuts. If you have one of these cabinets, use a 1/4" nut driver and a flat-blade screwdriver and remove the right angle mounting brackets (total of 4) from the outer

To Install the Support Shelf with the Optional Slide Mount Kit

slide members and replace them with the straight mounting brackets (supplied with the rack mount kit).



- 3** Attach the outer members to the rack cabinet with rack cabinet hardware. The straight mounting brackets go on the outboard faces of the support columns.
- 4** Attach the inner slide members to the support shelf with four M4 x 8 TORX screws (supplied with the kit).
- 5** Install the support shelf into the rack cabinet by sliding the inner slide members into the outer slide members. Press the locking tab on the inner slide members to allow the support shelf to slide completely into the rack cabinet.
- 6** Fasten the support shelf to the rack cabinet by installing the rack cabinet screws through the front support shelf ears into the cabinet rails. Use the rack cabinet hardware.

Agilent Part Number 01660-92011
Printed January 2001

